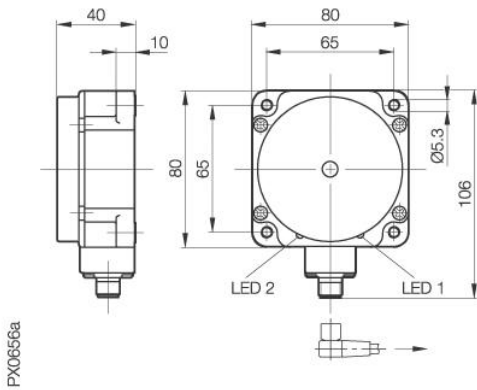


**Inductive Sensors**  
**BES 517-140-M5-H-S 4**  
**80 x 80 x 40**  
**Complementary**  
**Sn=50mm**  
**unshielded**



PX0656a

**Common Data**

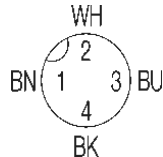
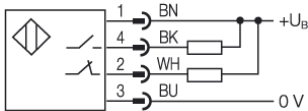
Product name	Maxisensor
Mounting in steel	unshielded
Rated operating distance Sn	50mm
Assured operating distance Sa	0...40mm
Repeatability R	≤ 5%
Hysteresis	3...20%
Power indication	yes
Function indication	yes
Ambient temperature range	-25...+70°C
Polution Degree	3
Time delay before availability	≤ 50ms

**Mechanical Data**

Measurements BxHxT or DxT	80 x 80 x 40mm
Housing material	PBTP
Material of sensing face	PBTP
Degree of protection	IP67IP
Connection	Connector S4 (M12)
Schock: Halbsinus, 30 gn, 11ms	
Vibration: 55 Hz, 1mm Amplitude, 3 x 30 Minutes	

**Electrical Data**

Current type	DC
Wiring	4-Wire
switching function	Complementary
Output signal	NPN
Rated operational voltage	24 DCV
Rated operational current	200mA
Supply voltage	10...55 DCV
Ripple	≤ 15%
max. switching frequency	100Hz
No-load supply current	≤ 15/≤ 15mA
Off-state current	≤ 80µA
Voltage drop	≤ 2.5/-V
Short circuit protection	yes
Protected against polarity reversal	yes



Utilization categories  
 Insulation class

DC 13  
 II

Datasheet number:

Definitions see general catalog.  
 If not otherwise noted, ratings according to  
 IEC 60947-5-2 (DIN EN60947-5-2)

Balluff GmbH  
 Schurwaldstrasse 9  
 73765 Neuhausen a.d.F.  
 Phone (07158) 173-0 Fax (07158) 5010

Datenblatt by CD-ROM - 04/2007

**BALLUFF**  
 sensors worldwide